

PS560 (B600)

PS560 (B600)

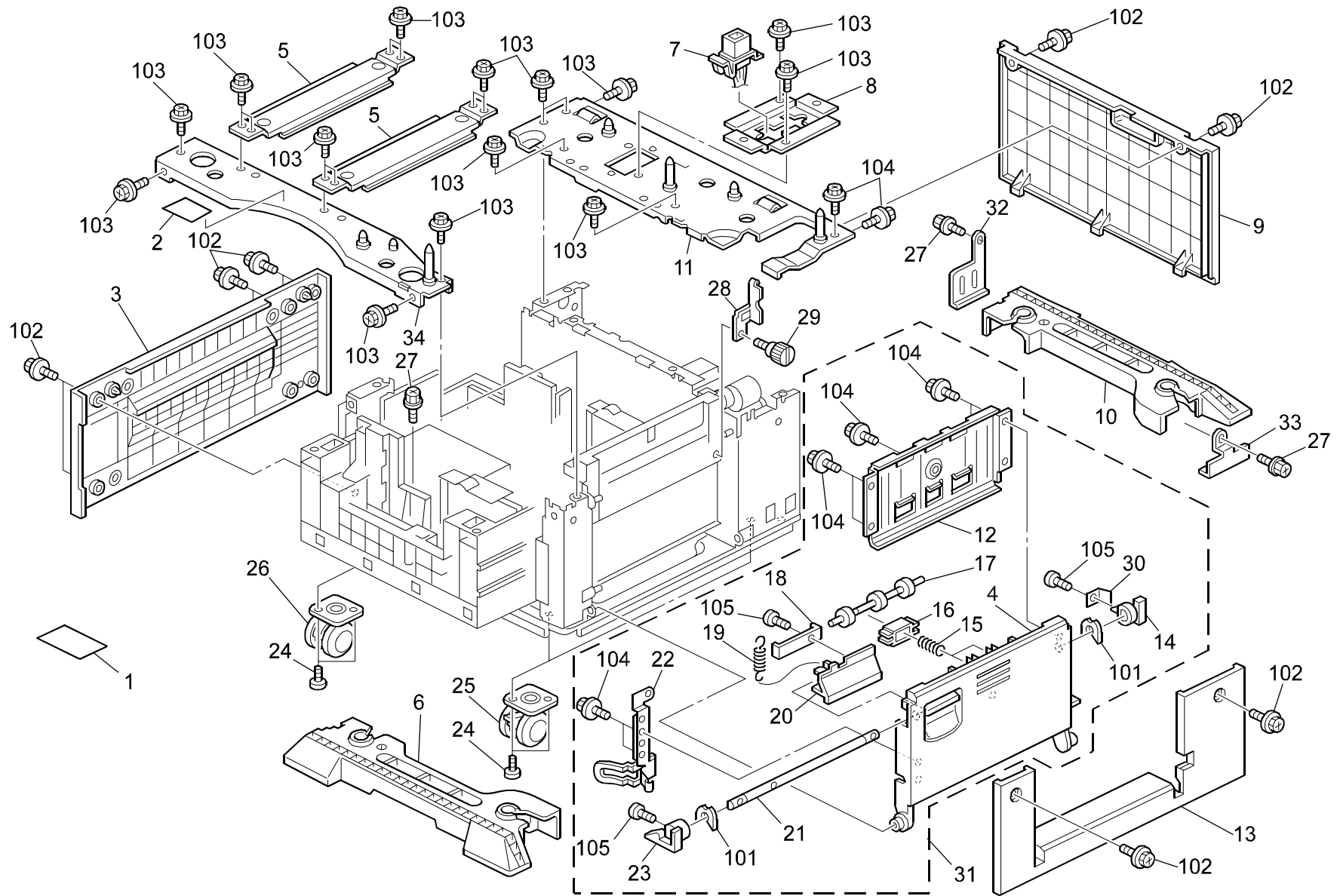
PARTS CATALOG

This catalog gives the numbers and names of parts on this machine.

1.EXTERIOR (B600)	2
2.TANDEM TRAY 1 (B600).....	4
3.TANDEM TRAY 2 (B600).....	6
4.TANDEM TRAY 3 (B600).....	8
5.PAPER FEED SECTION 1 (B600).....	10
6.PAPER FEED SECTION 2 (B600).....	12
7.DRIVE AND ELECTRICAL (B600).....	14
8.DECALS AND DOCUMENTS (B600)	16
PARTS INDEX	19

October ,30 ' 2003

1.EXTERIOR (B600)

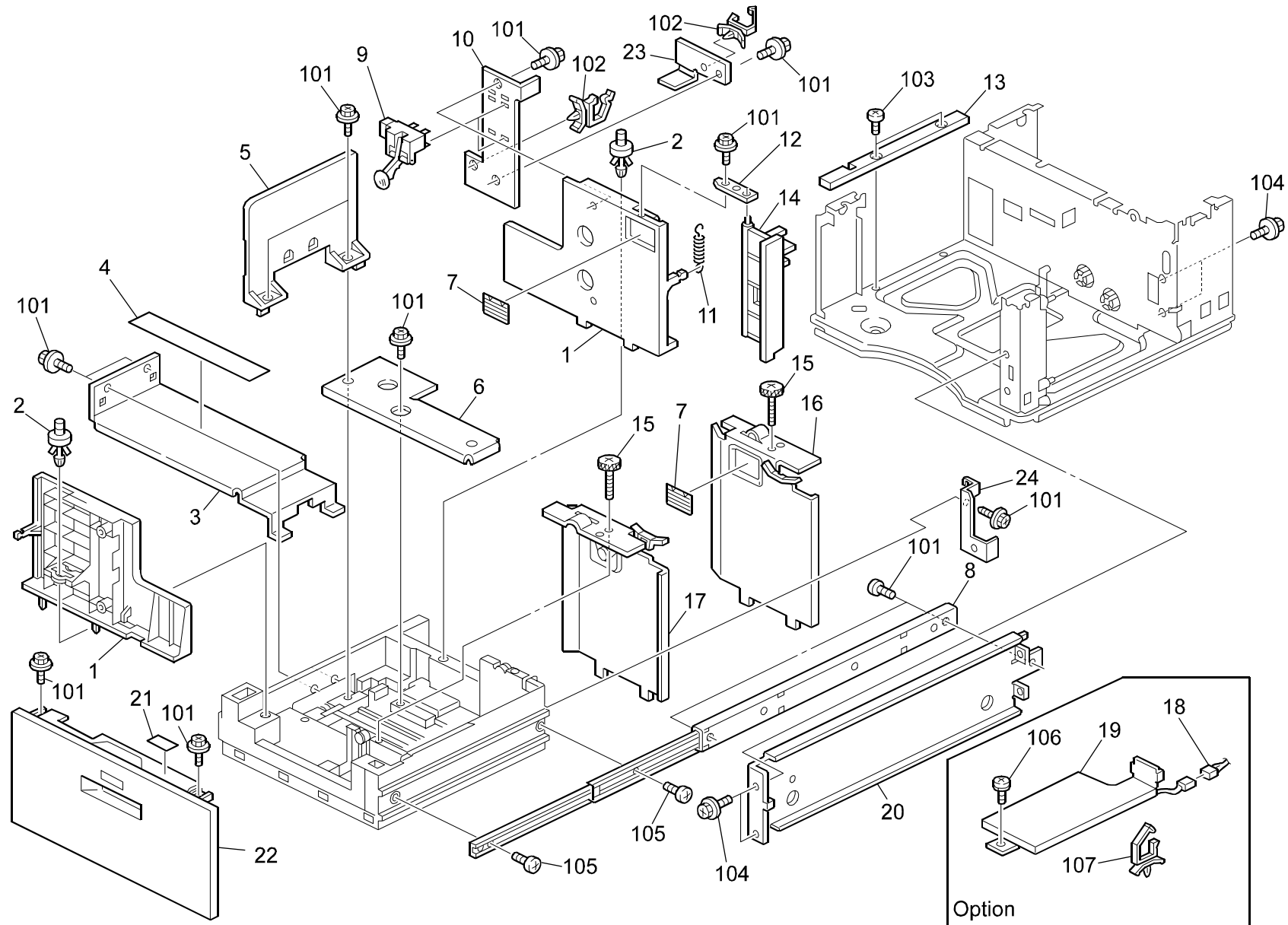


1.EXTERIOR (B600)

Index No.	Part No.	Description	Q'ty Per Assembly
1	G569 2695	Decal - Paper Set Direction	1
2	GA00 3040	Decal - Front	1
3	G569 1251	Left Cover - Large Capacity Tray	1
4	G568 2550	Cover:Vertical Transport:Paper Bank	1
5	A682 1067	Upper Middle Stay	2
6	G569 6160	Front Stand	1
7	G568 5320	Harness - Interface	1
8	G569 1078	Drawer Bracket	1
9	G568 1251	Rear Cover	1
10	G569 6161	Rear Stand	1
11	G569 1071	Stay:Upper Rear:Peen	1
12	G569 2565	Guide Plate - Vertical Transport	1
13	G568 1250	Right Cover	1
14	A682 2553	Rear Hook - Vertical Transport Cover	1
15	AA06 3573	Compression Spring	2
16	AA08 0254	Bushing - M4	2
17	A232 2862	Driven Roller	1
18	A682 2559	Lever Stopper	1
19	AA06 0715	Pressure Spring	1
20	G568 2551	Lever - Vertical Transport	1
21	AA14 0670	Un Lock Shaft	1
22	A682 2565	Stopper - Vertical Transport Cover	1
23	A682 2552	Front Hook - Vertical Transport	1
24	A507 1096	Philips Screw - M5x6	8
25	AH01 2013	Stopper Caster - 60kgf	2
26	AH01 2014	Caster - 60kgf	2
27	A548 6121	Screw - M4	6
28	G567 6310	Bracket:Coupling:Paper Bank	1
29	G568 6220	Fixing Screw	1
30	G569 2570	Grounding Plate - Vertical Transport Shaft	1
31	G569 2515	Guide Plate - Vertical Transport	1
32	G569 6168	Rear Left Stand Bracket	1
33	G569 6169	Rear Right Stand Bracket	1
34	G568 1060	Stay:Upper Front:Peen	1

Index No.	Part No.	Description	Q'ty Per Assembly
101	0805 0088	Retaining Ring - M6	
102	0451 3008H	Tapping Screw - M3x8	
103	0451 3006B	Tapping Screw - M3x6	
104	0450 4010B	Tapping Screw - 4x10	
105	0353 0060B	Philips Pan Head Screw - M3x6	

2.TANDEM TRAY 1 (B600)

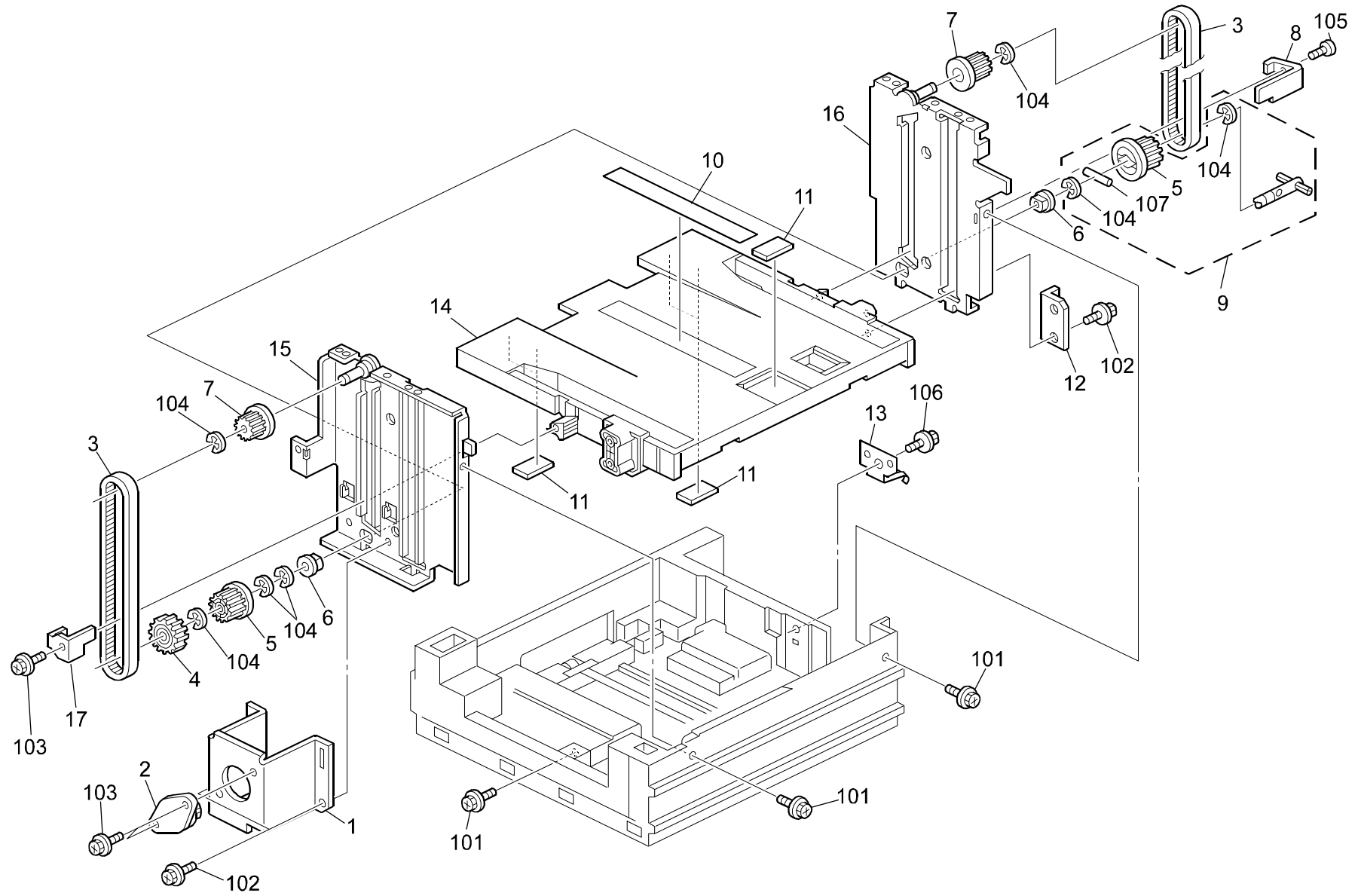


2.TANDEM TRAY 1 (B600)

Index No.	Part No.	Description	Q'ty Per Assembly
1	G569 2688	Front Side Fence - Tandem Tray	1
2	G569 2761	Rivet - 31j5	2
3	G569 2680	Cover - Timing Belt	1
4	A096 6678	Decal - Left Paper Set	1
5	G569 2686	End Fence - Tandem Tray	1
6	G569 2715	Cover - Positioning Sensor	1
7	AA00 2010	Decal - Paper Level	2
8	G569 1175	Right Slide Rail	1
9	G569 5510	Photointerruptor - Paper Volume	1
10	G569 2709	Bracket - Paper Height Sensor -Tandem LCT	1
11	G569 2712	Tension Spring	1
12	G569 2706	Shoe:Side Fence	1
13	G569 1080	Lower Guide Rail	1
14	G569 2707	End Fence - Tandem Tray	1
15	AA14 3508	Flat Knob Screw - M4x10	2
16	G569 2650	Rear Side Fence	1
17	G569 2640	Front Side Fence	1
18	B598 5345	Harness:Heater:Ass'y	1
19	G568 6542	Heat Sink:Heater:NA:Ass'y	1
19	G568 6544	Heater Ass'y (230V)	1
20	G569 1172	Stay:Right:Front Rear	1
21	G569 2697	Decal - Paper Tray - Set	1
22	G569 2690	Front Cover	1
23	G569 2725	Ground Plate:Paper Volume Sensor	1
24	G569 2726	Ground Plate:Paper Tray:Slide Rail	1

Index No.	Part No.	Description	Q'ty Per Assembly
101	0450 3008B	Tapping Screw - M3x8	
102	1105 0511	Harness Clamp - LWS-0306ZC	
103	0452 4008B	Binding Self Tapping Screw - M4x8	
104	0451 3006B	Tapping Screw - M3x6	
105	0354 0080B	Screw - M4X8	
106	0954 4008Z	Double Sens Screw - M4x8	
107	1105 0487	Harness Clamp	

3.TANDEM TRAY 2 (B600)

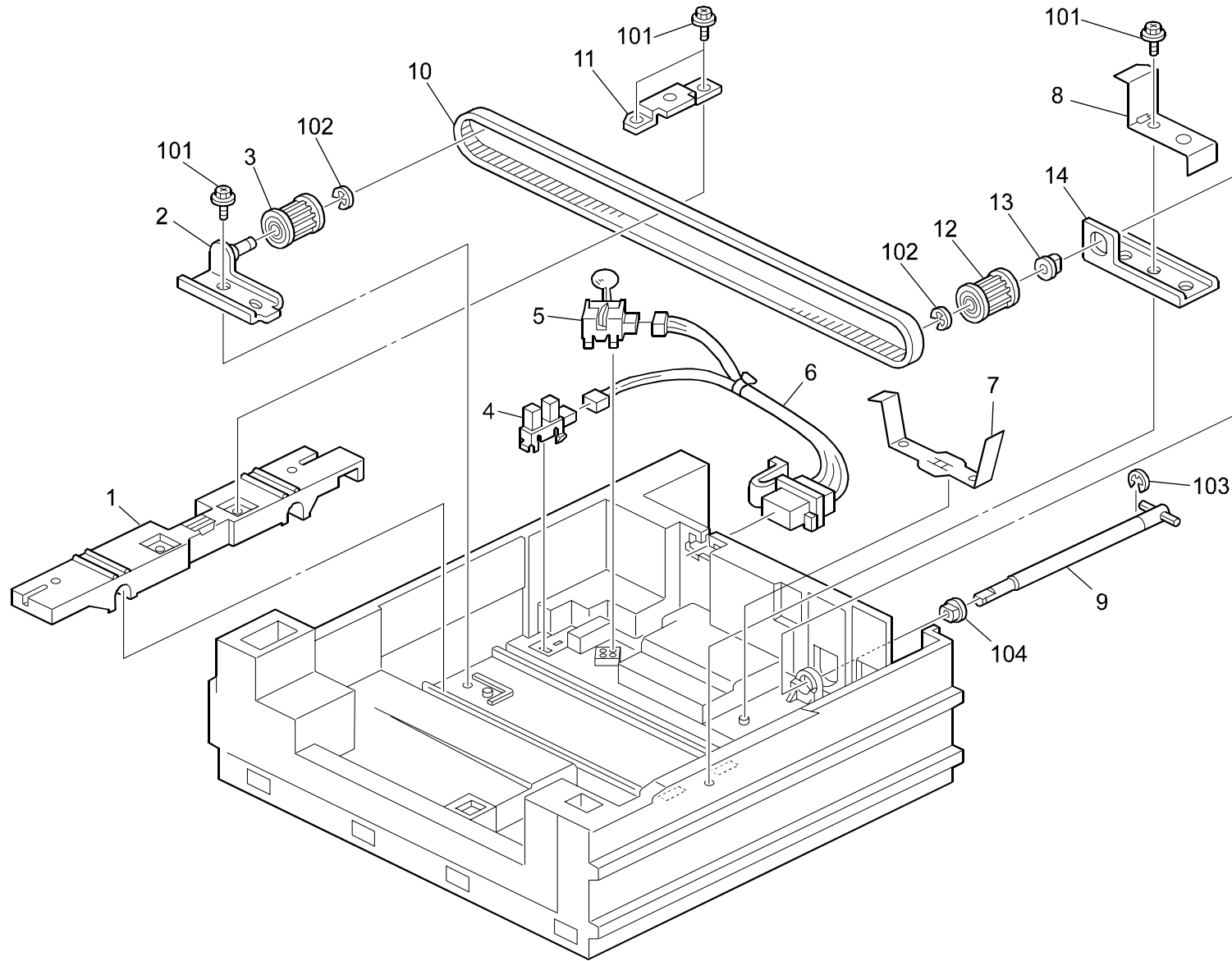


3.TANDEM TRAY 2 (B600)

Index No.	Part No.	Description	Q'ty Per Assembly
1	G569 2667	Bracket	1
2	A862 2692	Oil Damper	1
3	G569 2660	Timing Belt - S3M378	2
4	AB01 4135	Gear - 18Z	1
5	AB03 0633	Timing Pulley - Tray Botom Plate	2
6	AA08 2070	Bushing - 8x16x7	2
7	G569 2710	Timing Pulley - Tray Bottom Plate	2
8	G569 2663	Rear Stay - Timing Belt	1
9	A862 2641	Shaft - Tray Bottom Plate Ass'y	1
10	A096 6677	Decal - Right Paper Set	1
11	A421 2543	Friction Pad	5
12	G569 2669	Bracket - Roller	1
13	G569 2684	Spring Plate - Tandem LCT	1
14	G569 2610	Tray Bottom Plate	1
15	G569 2620	Side Plate Front Tray Peen	1
16	G569 2630	Side Plate Rear Tray Peen	1
17	G569 2662	Front Stay - Timing Belt	1

Index No.	Part No.	Description	Q'ty Per Assembly
101	0451 3008B	Tapping Screw - M3x8	
102	0450 3008B	Tapping Screw - M3x8	
103	0451 4006B	Tapping Screw - 4x6	
104	0720 0060E	Retaining Ring - M6	
105	0452 3008B	Tapping Screw - M3x8	
106	0451 3006B	Tapping Screw - M3x6	
107	0623 0140E	Spring Pin - 3x14mm	

4.TANDEM TRAY 3 (B600)

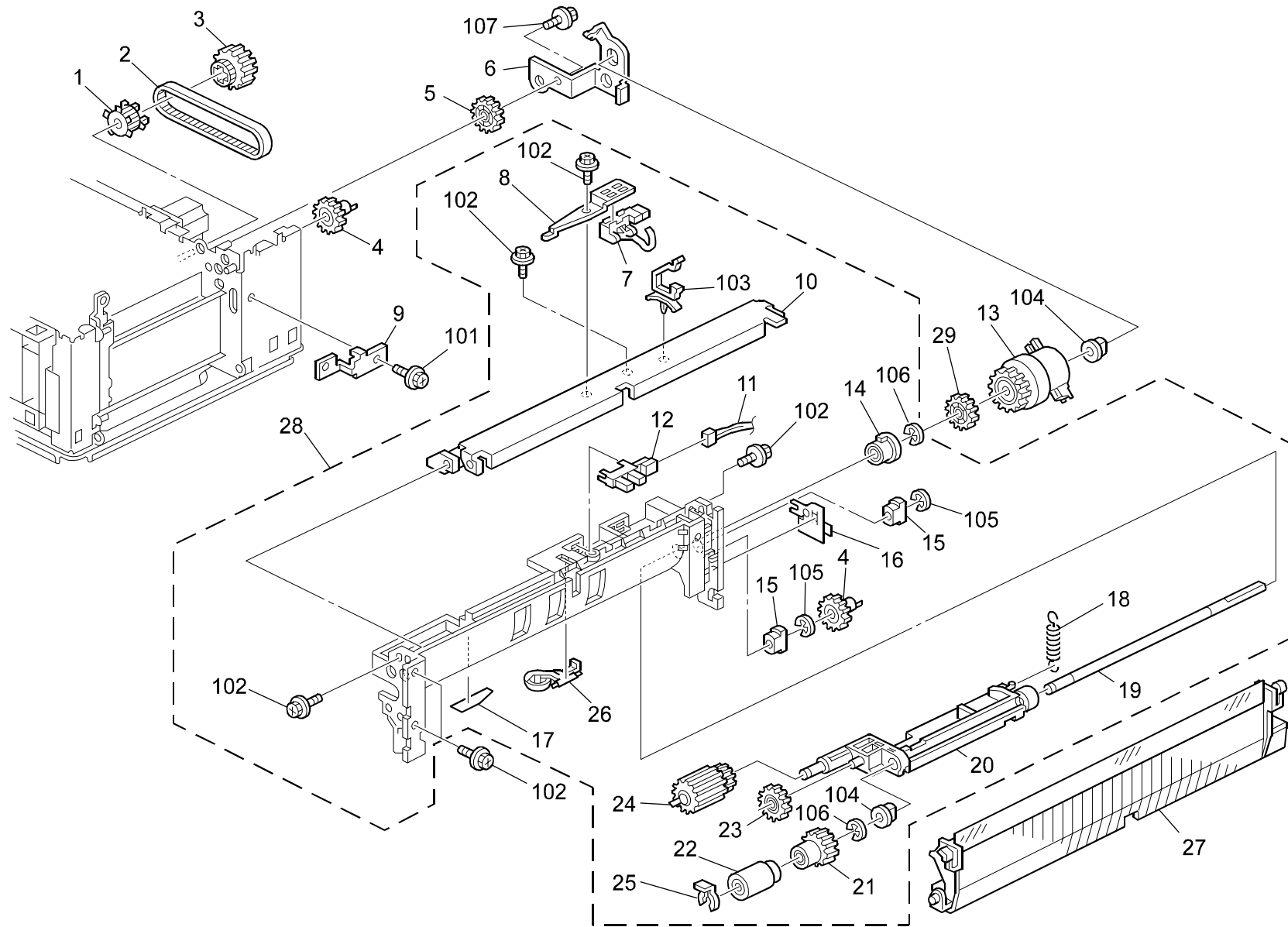


4.TANDEM TRAY 3 (B600)

Index No.	Part No.	Description	Q'ty Per Assembly
1	G569 2670	Slider - End Fence	1
2	A862 2745	Timing Belt Bracket	1
3	AB03 3085	Timing Pulley - 15T	1
4	AW02 0056	Photointerruptor - EE-SX4235A-P1	1
5	G569 5510	Photointerruptor - Paper Volume	1
6	G569 5350	Harness - Tandem Tray	1
7	G569 2682	Grounding Plate - Sensor	1
8	G569 2683	Grounding Plate - Timing Belt Cover	1
9	G569 2883	Shaft - Slider	1
10	G569 2674	Timing Belt - S3M588	1
11	G569 2672	Stopper - Timing Belt	1
12	AB03 3084	Timing Pulley - 15T	1
13	AA08 2070	Bushing - 8x16x7	1
14	A862 2728	Timing Pulley Bracket	1

Index No.	Part No.	Description	Q'ty Per Assembly
101	0450 3008B	Tapping Screw - M3x8	
102	0720 0040E	Retaining Ring - M4	
103	0720 0060E	Retaining Ring - M6	
104	0805 3480	Bushing - 6mm	

5.PAPER FEED SECTION 1 (B600)

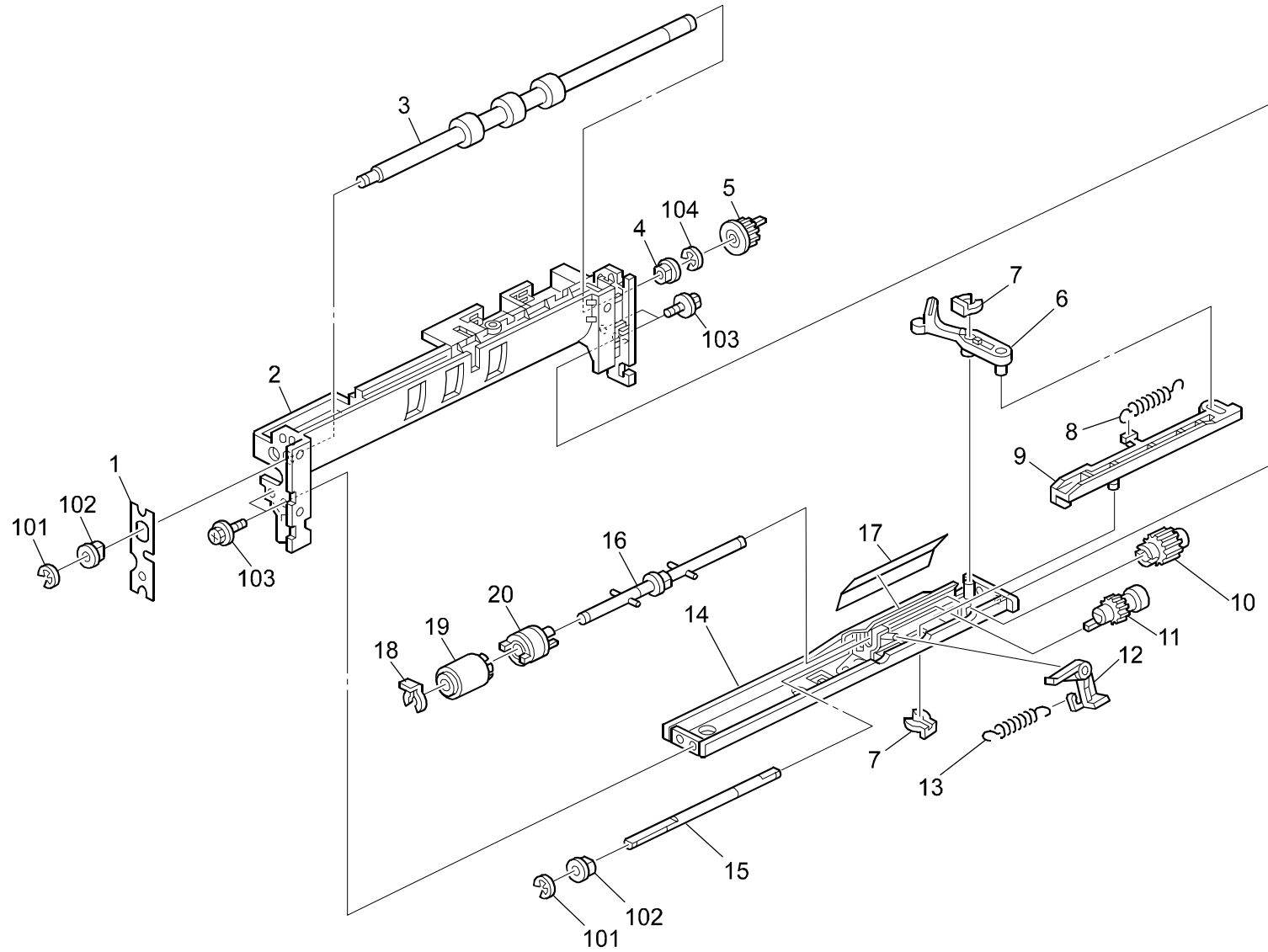


5.PAPER FEED SECTION 1 (B600)

Index No.	Part No.	Description	Q'ty Per Assembly
1	G568 2838	Timing Pulley - 20T	1
2	G569 2819	Timing Belt - S3M 222	1
3	G568 2836	Gear - Z28/20T	1
4	AB01 4038	Gear - 22Z	2
5	G569 2724	Gear - Z24	1
6	G569 2846	Upper Drum Stay - Feed Roller	1
7	AW02 0131	Photo-interruptor-vertical Transp.	1
8	A232 2781	Sensor Bracket	1
9	G567 6311	Bracket:Coupling:2	1
10	A232 2780	Stay - Paper Feed	1
11	G568 5370	Harness - Paper Feed Unit	1
12	AW02 0056	Photointerruptor - EE-SX4235A-P1	1
13	AX20 0221	Magnetic Clutch - Paper Feed	1
14	AA08 3014	One-way Clutch	1
15	AA08 2072	Bushing - M6	2
16	G313 2764	Rear Grounding Plate	1
17	A232 2766	Feed Mylar	1
18	AA06 0691	Tension Spring	1
19	AA14 0743	Shaft - Feed	1
20	A232 2763	Pick-up Arm	1
21	AB01 1218	Gear - Roller Clutch	1
22	AF03 1085	Feed Roller	1
23	AB01 1188	Gear - 21Z	1
24	AF03 0085	Pick-up Roller	1
25	AA10 0014	Retaining Ring C - Separate	1
26	A232 2762	Paper End Feeler	1
27	A232 2785	Vertical Guide	1
28	G568 2650	Paper Feed Unit	1
29	G569 2822	Gear - Z30	1

Index No.	Part No.	Description	Q'ty Per Assembly
101	0451 3006B	Tapping Screw - M3x6	
102	0451 3008B	Tapping Screw - M3x8	
103	1105 0511	Harness Clamp - LWS-0306ZC	
104	0805 3480	Bushing - 6mm	
105	0720 0040E	Retaining Ring - M4	
106	0805 0089	Retaining Ring - M4	
107	0951 3006B	Philips Screw With Flat Washer - M3x6	

6.PAPER FEED SECTION 2 (B600)

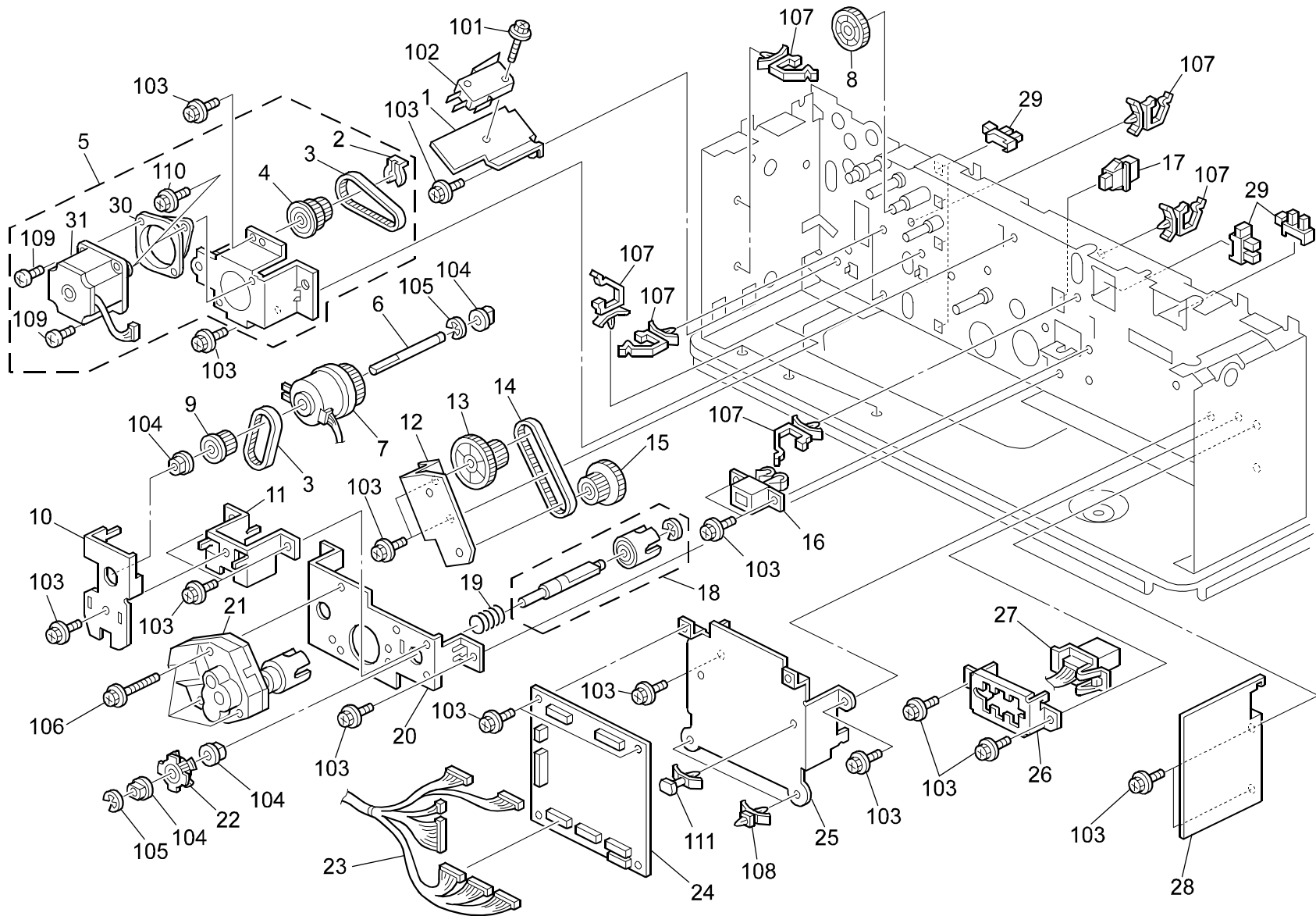


6.PAPER FEED SECTION 2 (B600)

Index No.	Part No.	Description	Q'ty Per Assembly
1	G313 2765	Front Grounding Plate	1
2	G568 2856	Housing - Paper Feed Unit	1
3	AF02 0404	Transport Roller	1
4	AA08 2070	Bushing - 8x16x7	1
5	AB03 0565	Timing Pulley - 20T	1
6	G065 2776	Release Lever	1
7	5206 2686	Snap Ring	2
8	AA06 0693	Tension Spring	1
9	G065 2775	Link Lever	1
10	AB01 0107	Gear - 23Z	1
11	AB01 0106	Gear - 24Z	1
12	G065 2774	Pressure Lever	1
13	AA06 0908	Release Spring	1
14	G060 2725	Stay - Paper Separation	1
15	AA14 0656	Shaft - Gear	1
16	G568 2689	Bank Separate Driven Shaft	1
17	B004 2782	Rear Feed Mylar	1
18	AA10 0014	Retaining Ring C - Separate	1
19	AF03 2085	Separation Roller	1
20	G060 2900	Torque Limiter - 40mn·m 18mm	1

Index No.	Part No.	Description	Q'ty Per Assembly
101	0720 0040E	Retaining Ring - M4	
102	0805 3480	Bushing - 6mm	
103	0451 3008B	Tapping Screw - M3x8	
104	0720 0060E	Retaining Ring - M6	

7.DRIVE AND ELECTRICAL (B600)

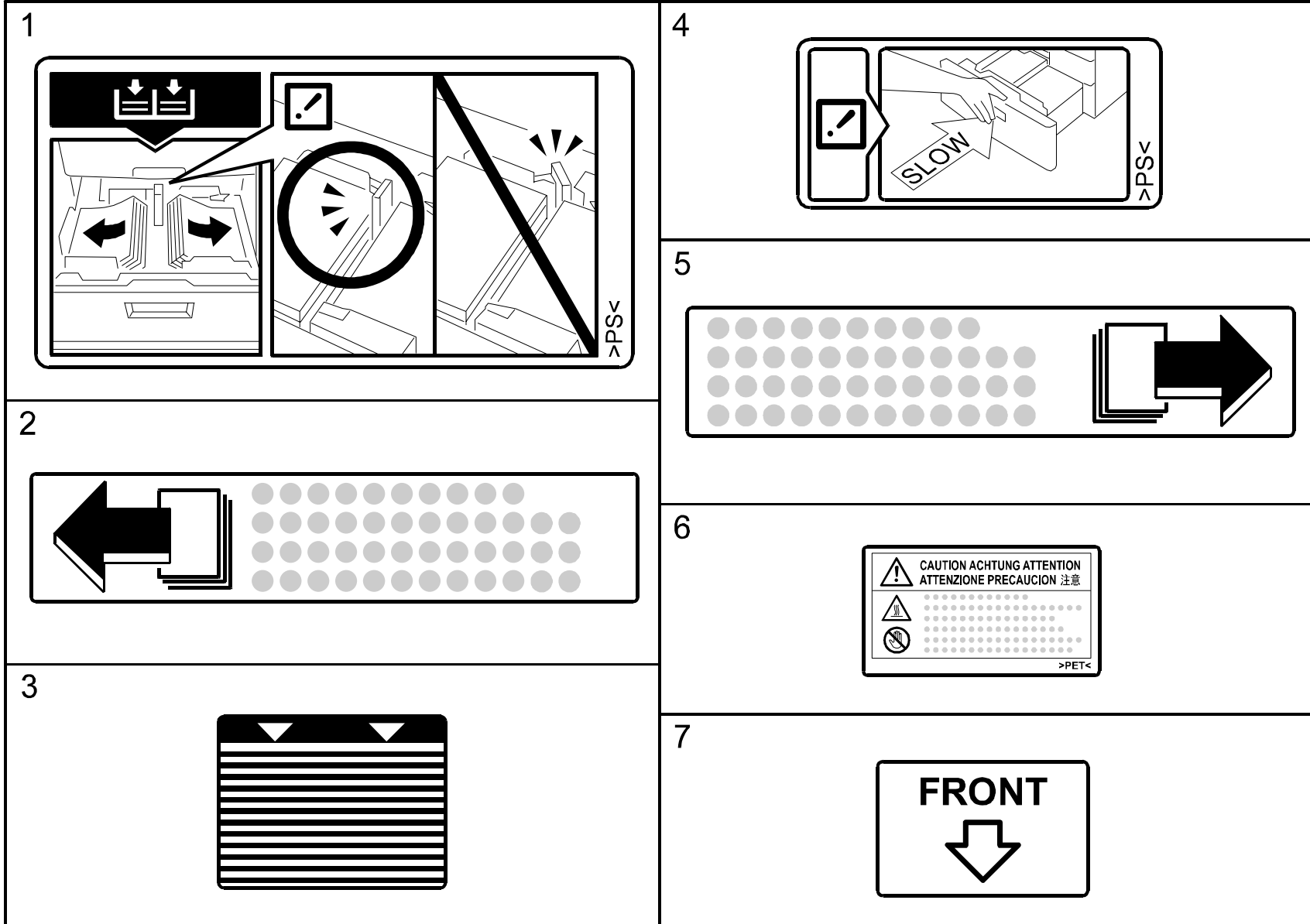


7.DRIVE AND ELECTRICAL (B600)

Index No.	Part No.	Description	Q'ty Per Assembly
1	A232 2882	Bracket - Micro Switch	1
2	5215 2621	Snap Ring - M6	1
3	G569 2850	Timing Belt - S3M150	2
4	G568 2835	Gear - Z19/29T	1
5	G568 2700	Motor Bracket	1
6	G569 2835	Magnetic Clutch Shaft	1
7	AX20 0158	Magnetic Clutch - 0.8n 28z	1
8	G569 2829	Gear - 31Z	1
9	G569 2836	Timing Pulley - 20T	1
10	G569 2826	Bracket - Magnetic Clutch	1
11	G569 2825	Joint Bracket	1
12	G569 2827	Drum Stay - Timing Belt	1
13	G569 2852	Gear - Z34/T14	1
14	G569 2845	Timing Belt - S3M:186	1
15	G569 2853	Gear - 27Z/18T	1
16	G697 1082	Tray Holder	1
17	AW50 0023	Push Switch	1
18	G569 2816	Joint Shaft	1
19	G569 2901	Spring - Lift Motor	1
20	G569 2881	Bracket - DC Motor	1
21	G569 2900	DC Motor - 24W	1
22	G569 2855	Timing Pulley - 17T	1
23	G569 5300	Harness - Main	1
24	B600 5111	PCB Ass'y	1
25	G568 1187	Bracket - Interface Board	1
26	G569 1085	Drawer Bracket	1
27	G569 5310	Harness - Connecting	1
28	G569 1087	Bracket - Safety	1
29	AW02 0056	Photointerruptor - EE-SX4235A-P1	3
30	AA16 1131	Cushion - Stepper Motor	1
31	G568 2702	Stepper Motor - DC4.42W	1

Index No.	Part No.	Description	Q'ty Per Assembly
101	0451 3014B	Tapping Screw - M3-14	
102	1204 2529	Switch - V-5F912DN	
103	0451 3006B	Tapping Screw - M3x6	
104	0805 3480	Bushing - 6mm	
105	0720 0040E	Retaining Ring - M4	
106	0451 3030B	Tapping Screw - 3x30	
107	1105 0487	Harness Clamp	
108	1105 0192	Locking Support	
109	0314 0080B	Philips Pan Head Screw - M4x8	
110	0451 4008B	Philips Tapping Screw - M4x8	
111	1105 0409	Card Spacer- 6.4mm	

8.DECALS AND DOCUMENTS (B600)



8.DECALS AND DOCUMENTS (B600)

Index No.	Part No.	Description	Q'ty Per Assembly
1	G569 2695	Decal - Paper Set Direction	1
2	A096 6678	Decal - Left Paper Set	1
3	AA00 2010	Decal - Paper Level	1
4	G569 2697	Decal - Paper Tray - Set	1
5	A096 6677	Decal - Right Paper Set	1
6	GA00 3040	Decal - Front	1
7	GA00 3056	Decal - Heater Warning	1

Index No.	Part No.	Description	Q'ty Per Assembly

Parts Index

Parts Index

Part No.	Description	Page and Index No.
B600 5111	PCB Ass'y	15 - 24

Part No.	Description	Page and Index No.
A096 6677	Decal - Right Paper Set	7 - 10
A096 6677	Decal - Right Paper Set	17 - 5
A096 6678	Decal - Left Paper Set	17 - 2
A096 6678	Decal - Left Paper Set	5 - 4
A232 2762	Paper End Feeler	11 - 26
A232 2763	Pick-up Arm	11 - 20
A232 2766	Feed Mylar	11 - 17
A232 2780	Stay - Paper Feed	11 - 10
A232 2781	Sensor Bracket	11 - 8
A232 2785	Vertical Guide	11 - 27
A232 2862	Driven Roller	3 - 17
A232 2882	Bracket - Micro Switch	15 - 1
A421 2543	Friction Pad	7 - 11
A507 1096	Philips Screw - M5x6	3 - 24
A548 6121	Screw - M4	3 - 27
A682 1067	Upper Middle Stay	3 - 5
A682 2552	Front Hook - Vertical Transport	3 - 23
A682 2553	Rear Hook - Vertical Transport Cover	3 - 14
A682 2559	Lever Stopper	3 - 18
A682 2565	Stopper - Vertical Transport Cover	3 - 22
A862 2641	Shaft - Tray Bottom Plate Ass'y	7 - 9
A862 2692	Oil Damper	7 - 2
A862 2728	Timing Pulley Bracket	9 - 14
A862 2745	Timing Belt Bracket	9 - 2
B004 2782	Rear Feed Mylar	13 - 17
B598 5345	Harness:Heater:Ass'y	5 - 18
G060 2725	Stay - Paper Separation	13 - 14
G060 2900	Torque Limiter - 40mn·m 18mm	13 - 20
G065 2774	Pressure Lever	13 - 12
G065 2775	Link Lever	13 - 9
G065 2776	Release Lever	13 - 6
G313 2764	Rear Grounding Plate	11 - 16
G313 2765	Front Grounding Plate	13 - 1
G567 6310	Bracket:Coupling:Paper Bank	3 - 28
G567 6311	Bracket:Coupling:2	11 - 9

Part No.	Description	Page and Index No.
G568 1060	Stay:Upper Front:Peen	3 - 34
G568 1187	Bracket - Interface Board	15 - 25
G568 1250	Right Cover	3 - 13
G568 1251	Rear Cover	3 - 9
G568 2550	Cover:Vertical Transport:Paper Bank	3 - 4
G568 2551	Lever - Vertical Transport	3 - 20
G568 2650	Paper Feed Unit	11 - 28
G568 2689	Bank Separate Driven Shaft	13 - 16
G568 2700	Motor Bracket	15 - 5
G568 2702	Stepper Motor - DC4.42W	15 - 31
G568 2835	Gear - Z19/29T	15 - 4
G568 2836	Gear - Z28/20T	11 - 3
G568 2838	Timing Pulley - 20T	11 - 1
G568 2856	Housing - Paper Feed Unit	13 - 2
G568 5320	Harness - Interface	3 - 7
G568 5370	Harness - Paper Feed Unit	11 - 11
G568 6220	Fixing Screw	3 - 29
G568 6542	Heat Sink:Heater:NA:Ass'y	5 - 19
G568 6544	Heater Ass'y (230V)	5 - 19
G569 1071	Stay:Upper Rear:Peen	3 - 11
G569 1078	Drawer Bracket	3 - 8
G569 1080	Lower Guide Rail	5 - 13
G569 1085	Drawer Bracket	15 - 26
G569 1087	Bracket - Safety	15 - 28
G569 1172	Stay:Right:Front Rear	5 - 20
G569 1175	Right Slide Rail	5 - 8
G569 1251	Left Cover - Large Capacity Tray	3 - 3
G569 2515	Guide Plate - Vertical Transport	3 - 31
G569 2565	Guide Plate - Vertical Transport	3 - 12
G569 2570	Grounding Plate - Vertical Transport Shaft	3 - 30
G569 2610	Tray Bottom Plate	7 - 14
G569 2620	Side Plate Front Tray Peen	7 - 15
G569 2630	Side Plate Rear Tray Peen	7 - 16
G569 2640	Front Side Fence	5 - 17
G569 2650	Rear Side Fence	5 - 16

Part No.	Description	Page and Index No.
G569 2660	Timing Belt - S3M378	7 - 3
G569 2662	Front Stay - Timing Belt	7 - 17
G569 2663	Rear Stay - Timing Belt	7 - 8
G569 2667	Bracket	7 - 1
G569 2669	Bracket - Roller	7 - 12
G569 2670	Slider - End Fence	9 - 1
G569 2672	Stopper - Timing Belt	9 - 11
G569 2674	Timing Belt - S3M588	9 - 10
G569 2680	Cover - Timing Belt	5 - 3
G569 2682	Grounding Plate - Sensor	9 - 7
G569 2683	Grounding Plate - Timing Belt Cover	9 - 8
G569 2684	Spring Plate - Tandem LCT	7 - 13
G569 2686	End Fence - Tandem Tray	5 - 5
G569 2688	Front Side Fence - Tandem Tray	5 - 1
G569 2690	Front Cover	5 - 22
G569 2695	Decal - Paper Set Direction	17 - 1
G569 2695	Decal - Paper Set Direction	3 - 1
G569 2697	Decal - Paper Tray - Set	5 - 21
G569 2697	Decal - Paper Tray - Set	17 - 4
G569 2706	Shoe:Side Fence	5 - 12
G569 2707	End Fence - Tandem Tray	5 - 14
G569 2709	Bracket - Paper Height Sensor -Tandem LCT	5 - 10
G569 2710	Timing Pulley - Tray Bottom Plate	7 - 7
G569 2712	Tension Spring	5 - 11
G569 2715	Cover - Positioning Sensor	5 - 6
G569 2724	Gear - Z24	11 - 5
G569 2725	Ground Plate:Paper Volume Sensor	5 - 23
G569 2726	Ground Plate:Paper Tray:Slide Rail	5 - 24
G569 2761	Rivet - 31j5	5 - 2
G569 2816	Joint Shaft	15 - 18
G569 2819	Timing Belt - S3M 222	11 - 2
G569 2822	Gear - Z30	11 - 29
G569 2825	Joint Bracket	15 - 11
G569 2826	Bracket - Magnetic Clutch	15 - 10
G569 2827	Drum Stay - Timing Belt	15 - 12

Part No.	Description	Page and Index No.
G569 2829	Gear - 31Z	15 - 8
G569 2835	Magnetic Clutch Shaft	15 - 6
G569 2836	Timing Pulley - 20T	15 - 9
G569 2845	Timing Belt - S3M:186	15 - 14
G569 2846	Upper Drum Stay - Feed Roller	11 - 6
G569 2850	Timing Belt - S3M150	15 - 3
G569 2852	Gear - Z34/T14	15 - 13
G569 2853	Gear - 27Z/18T	15 - 15
G569 2855	Timing Pulley - 17T	15 - 22
G569 2881	Bracket - DC Motor	15 - 20
G569 2883	Shaft - Slider	9 - 9
G569 2900	DC Motor - 24W	15 - 21
G569 2901	Spring - Lift Motor	15 - 19
G569 5300	Harness - Main	15 - 23
G569 5310	Harness - Connecting	15 - 27
G569 5350	Harness - Tandem Tray	9 - 6
G569 5510	Photointerruptor - Paper Volume	5 - 9
G569 5510	Photointerruptor - Paper Volume	9 - 5
G569 6160	Front Stand	3 - 6
G569 6161	Rear Stand	3 - 10
G569 6168	Rear Left Stand Bracket	3 - 32
G569 6169	Rear Right Stand Bracket	3 - 33
G697 1082	Tray Holder	15 - 16

Part No.	Description	Page and Index No.
AA00 2010	Decal - Paper Level	5 - 7
AA00 2010	Decal - Paper Level	17 - 3
AA06 0691	Tension Spring	11 - 18
AA06 0693	Tension Spring	13 - 8
AA06 0715	Pressure Spring	3 - 19
AA06 0908	Release Spring	13 - 13
AA06 3573	Compression Spring	3 - 15
AA08 0254	Bushing - M4	3 - 16
AA08 2070	Bushing - 8x16x7	7 - 6
AA08 2070	Bushing - 8x16x7	13 - 4
AA08 2070	Bushing - 8x16x7	9 - 13
AA08 2072	Bushing - M6	11 - 15
AA08 3014	One-way Clutch	11 - 14
AA10 0014	Retaining Ring C - Separate	11 - 25
AA10 0014	Retaining Ring C - Separate	13 - 18
AA14 0656	Shaft - Gear	13 - 15
AA14 0670	Un Lock Shaft	3 - 21
AA14 0743	Shaft - Feed	11 - 19
AA14 3508	Flat Knob Screw - M4x10	5 - 15
AA16 1131	Cushion - Stepper Motor	15 - 30
AB01 0106	Gear - 24Z	13 - 11
AB01 0107	Gear - 23Z	13 - 10
AB01 1188	Gear - 21Z	11 - 23
AB01 1218	Gear - Roller Clutch	11 - 21
AB01 4038	Gear - 22Z	11 - 4
AB01 4135	Gear - 18Z	7 - 4
AB03 0565	Timing Pulley - 20T	13 - 5
AB03 0633	Timing Pulley - Tray Botom Plate	7 - 5
AB03 3084	Timing Pulley - 15T	9 - 12
AB03 3085	Timing Pulley - 15T	9 - 3
AF02 0404	Transport Roller	13 - 3
AF03 0085	Pick-up Roller	11 - 24
AF03 1085	Feed Roller	11 - 22
AF03 2085	Separation Roller	13 - 19
AH01 2013	Stopper Caster - 60kgf	3 - 25

Part No.	Description	Page and Index No.
AH01 2014	Caster - 60kgf	3 - 26
AW02 0056	Photointerruptor - EE-SX4235A-P1	11 - 12
AW02 0056	Photointerruptor - EE-SX4235A-P1	15 - 29
AW02 0056	Photointerruptor - EE-SX4235A-P1	9 - 4
AW02 0131	Photo-interruptor-vertical Transp.	11 - 7
AW50 0023	Push Switch	15 - 17
AX20 0158	Magnetic Clutch - 0.8n 28z	15 - 7
AX20 0221	Magnetic Clutch - Paper Feed	11 - 13
GA00 3040	Decal - Front	17 - 6
GA00 3040	Decal - Front	3 - 2
GA00 3056	Decal - Heater Warning	17 - 7

Part No.	Description	Page and Index No.
0314 0080B	Philips Pan Head Screw - M4x8	15 -109
0353 0060B	Philips Pan Head Screw - M3x6	3 -105
0354 0080B	Screw - M4X8	5 -105
0450 3008B	Tapping Screw - M3x8	5 -101
0450 3008B	Tapping Screw - M3x8	7 -102
0450 3008B	Tapping Screw - M3x8	9 -101
0450 4010B	Tapping Screw - 4x10	3 -104
0451 3006B	Tapping Screw - M3x6	5 -104
0451 3006B	Tapping Screw - M3x6	3 -103
0451 3006B	Tapping Screw - M3x6	15 -103
0451 3006B	Tapping Screw - M3x6	7 -106
0451 3006B	Tapping Screw - M3x6	11 -101
0451 3008B	Tapping Screw - M3x8	7 -101
0451 3008B	Tapping Screw - M3x8	13 -103
0451 3008B	Tapping Screw - M3x8	11 -102
0451 3008H	Tapping Screw - M3x8	3 -102
0451 3014B	Tapping Screw - M3-14	15 -101
0451 3030B	Tapping Screw - 3x30	15 -106
0451 4006B	Tapping Screw - 4x6	7 -103
0451 4008B	Philips Tapping Screw - M4x8	15 -110
0452 3008B	Tapping Screw - M3x8	7 -105
0452 4008B	Binding Self Tapping Screw - M4x8	5 -103
0623 0140E	Spring Pin - 3x14mm	7 -107
0720 0040E	Retaining Ring - M4	9 -102
0720 0040E	Retaining Ring - M4	15 -105
0720 0040E	Retaining Ring - M4	11 -105
0720 0040E	Retaining Ring - M4	13 -101
0720 0060E	Retaining Ring - M6	9 -103
0720 0060E	Retaining Ring - M6	7 -104
0720 0060E	Retaining Ring - M6	13 -104
0805 0088	Retaining Ring - M6	3 -101
0805 0089	Retaining Ring - M4	11 -106
0805 3480	Bushing - 6mm	15 -104
0805 3480	Bushing - 6mm	9 -104
0805 3480	Bushing - 6mm	13 -102

Part No.	Description	Page and Index No.
0805 3480	Bushing - 6mm	11 -104
0951 3006B	Philips Screw With Flat Washer - M3x6	11 -107
0954 4008Z	Double Sens Screw - M4x8	5 -106
1105 0192	Locking Support	15 -108
1105 0409	Card Spacer- 6.4mm	15 -111
1105 0487	Harness Clamp	5 -107
1105 0487	Harness Clamp	15 -107
1105 0511	Harness Clamp - LWS-0306ZC	11 -103
1105 0511	Harness Clamp - LWS-0306ZC	5 -102
1204 2529	Switch - V-5F912DN	15 -102

Part No.	Description	Page and Index No.
5206 2686	Snap Ring	13 - 7
5215 2621	Snap Ring - M6	15 - 2